

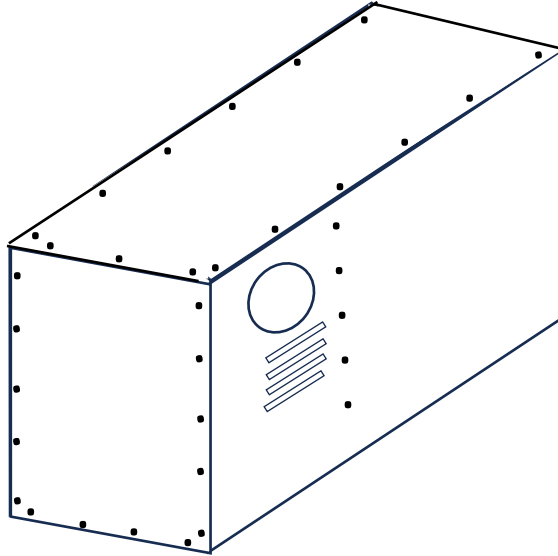
# Barn Owl Nesting Box

## Materials

- 1 -  $\frac{3}{4}$ " smooth plywood 4' x 4'
- 1 - Box 1  $\frac{3}{4}$ " drywall Screws
- 3 - 3" flat hinges

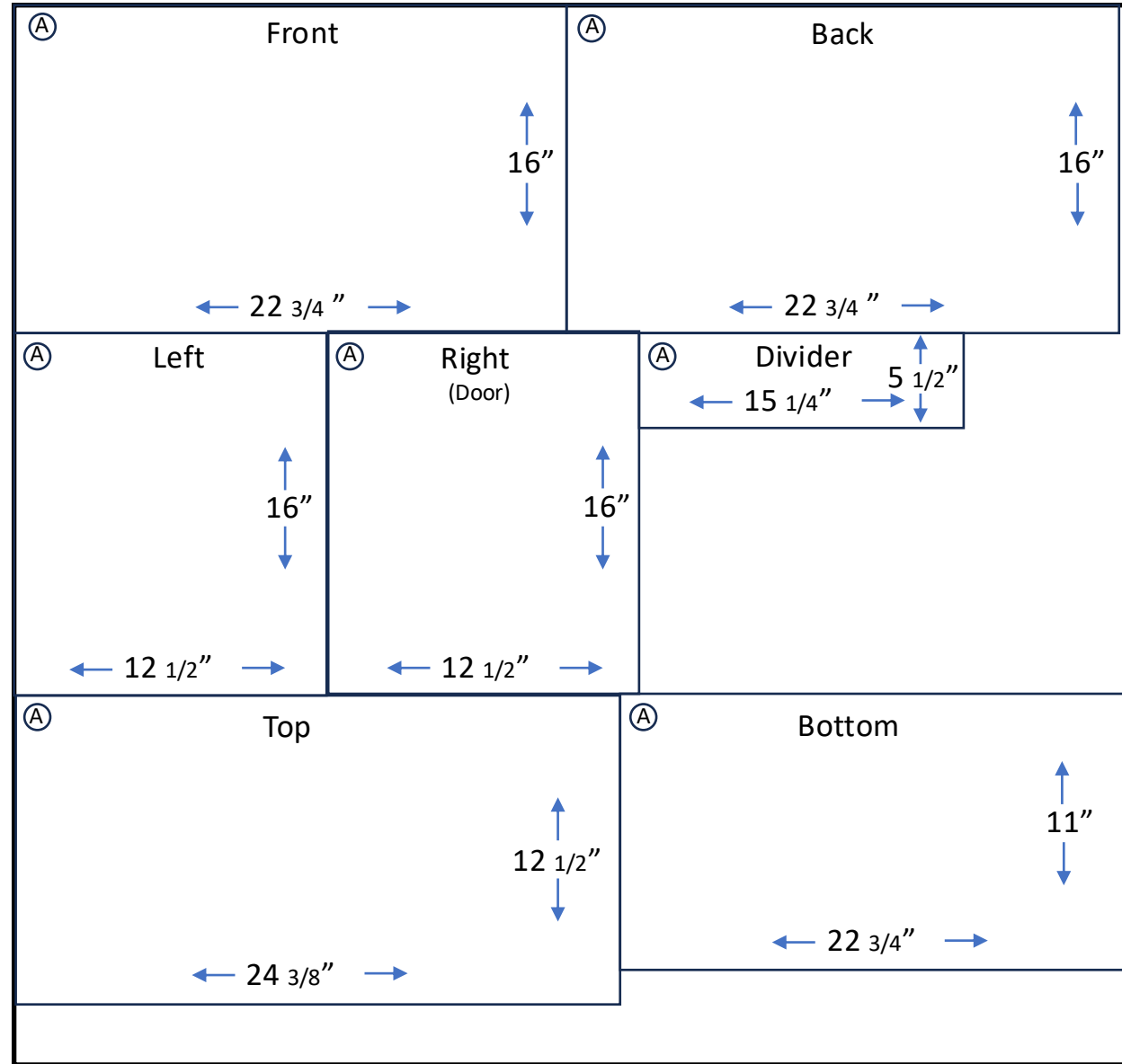
## Tools

- Drill
- Tape Measure
- 1/8" Drill bit
- 4  $\frac{1}{2}$ " hole saw
- Router with  $\frac{1}{4}$ " bit  
(or small chisel)
- #2 Phillips Screwdriver  
(or #2 Phillips bit)



Step 1  
Cut Materials

4' x 4'  
3/4" Plywood



## Step 2 Drill Holes to connect divider

Drill holes using a 1/8" bit  
Position holes as indicated

© Front

- Drill holes 6½" in from left edge
- Drill outer holes 2" in from edge
- Drill inner holes 3" from each other
- 
- 
- 

Ⓔ Back

Ⓓ Left

Ⓖ Right  
(Door)

Ⓑ Divider

Ⓕ Top

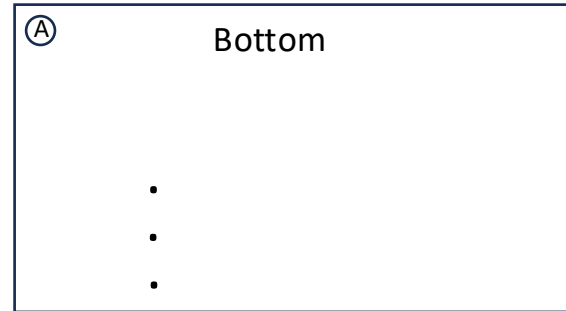
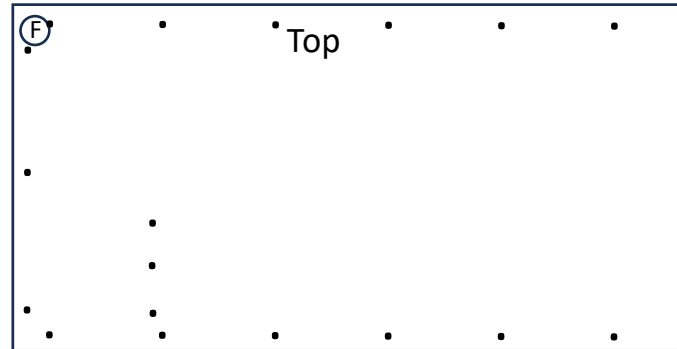
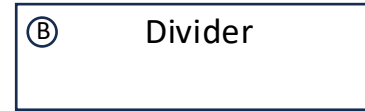
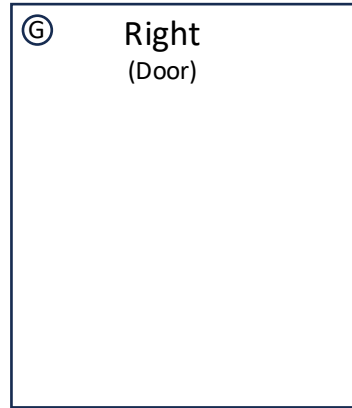
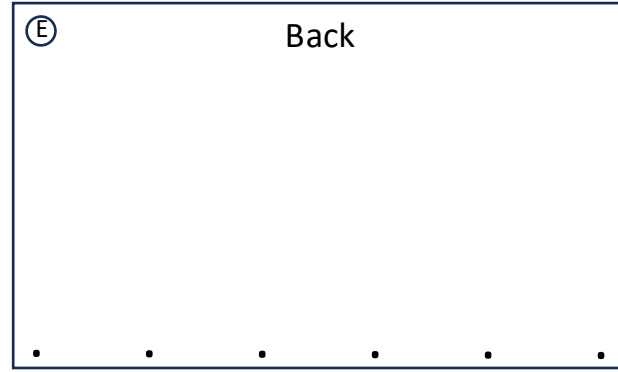
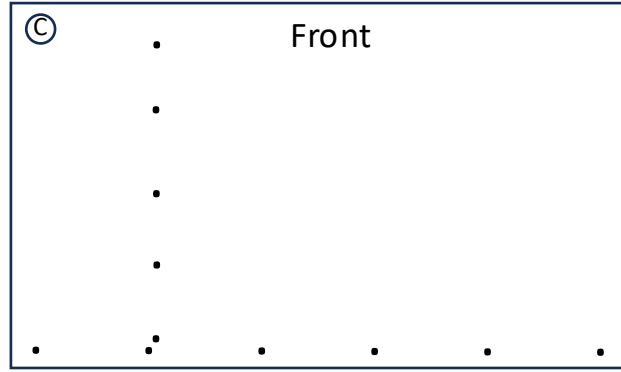
- Drill holes 7¾" in from left edge
- Drill 1<sup>st</sup> hole 1¼" in from bottom edge
- Drill 2<sup>nd</sup> hole 2¾" in from bottom edge
- Drill 3<sup>rd</sup> hole 4¾" in from bottom edge
- 
- 

Ⓐ Bottom

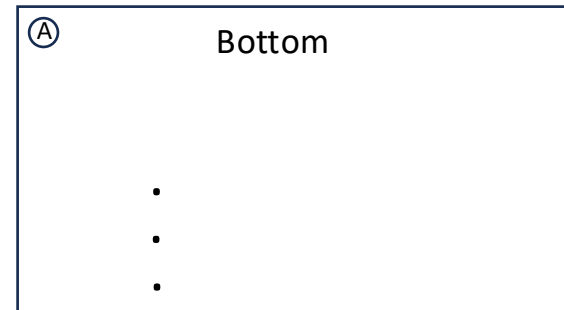
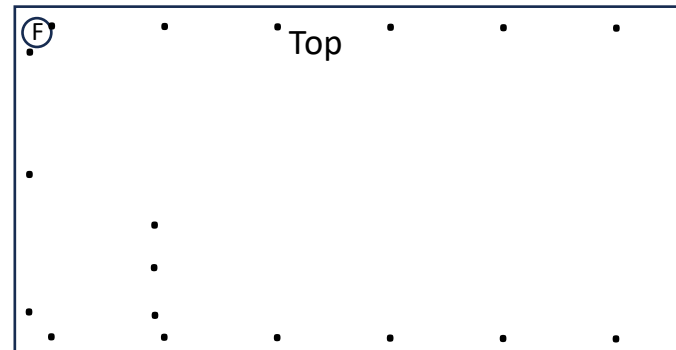
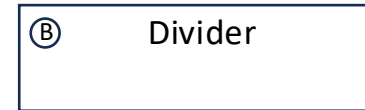
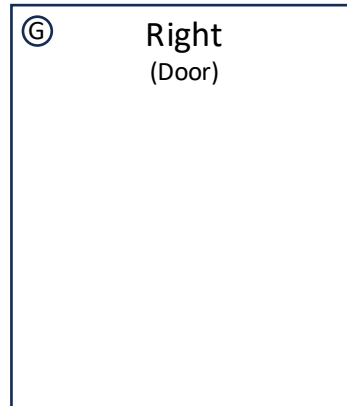
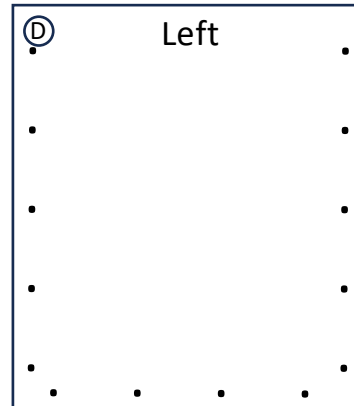
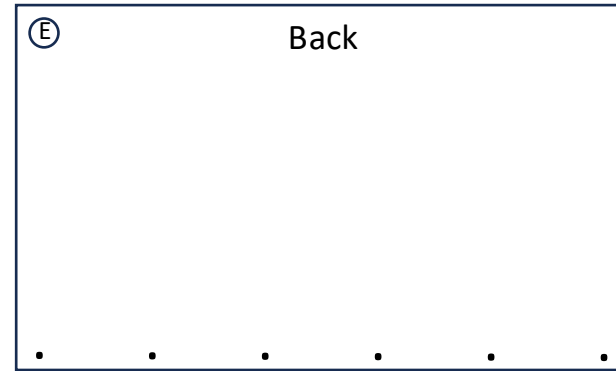
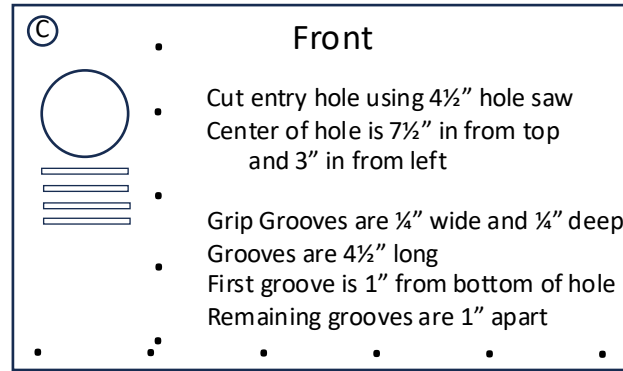
- Drill holes 6½" in from left edge
- Drill 1<sup>st</sup> hole ½" in from bottom edge
- Drill 2<sup>nd</sup> hole 2" in from bottom edge
- Drill 3<sup>rd</sup> hole 3½" in from bottom edge
-

# Step 3 Drill Screw Starter Holes

Drill holes using a 1/8" bit  
Position holes 3/8" from edge



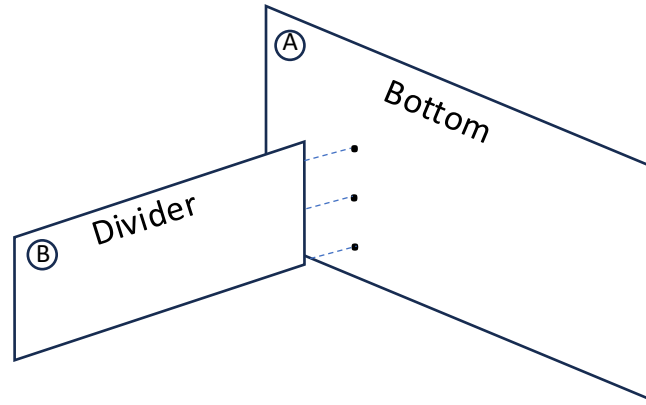
# Step 4 Drill Entrance Holes and Grip Grooves



## Step 5 Assembly

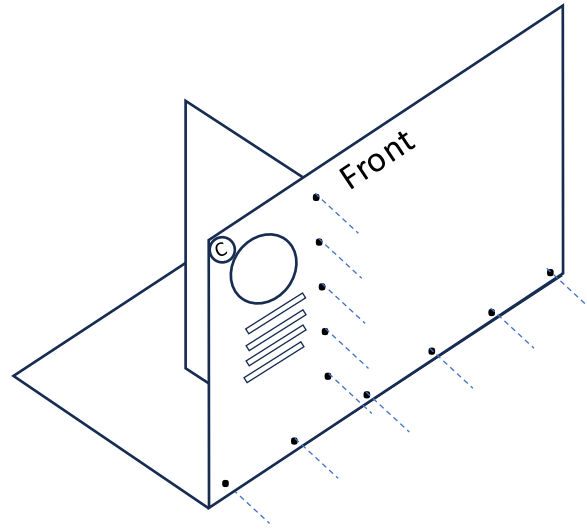
### Assembly Step 1

- Place divider (B) and bottom (A) together on a flat surface
- Secure divider to bottom through starter holes using  $1\frac{3}{4}$ " drywall screws



### Assembly Step 2

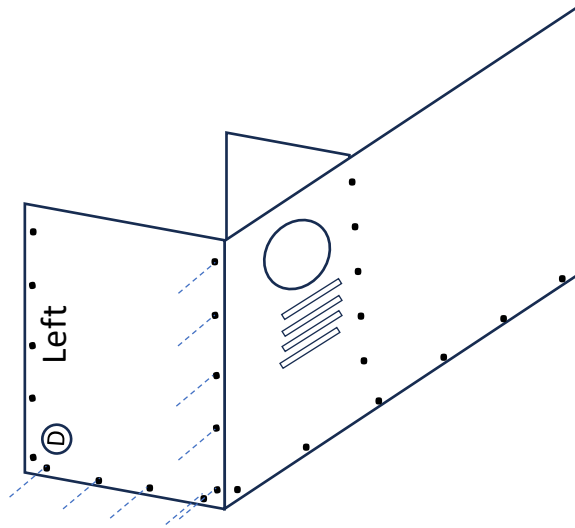
- Place bottom with divider and front (C) together on a flat surface. Ensure that edges are even at corner
- Secure front to bottom and divider through starter holes using  $1\frac{3}{4}$ " drywall screws



## Step 5 Assembly

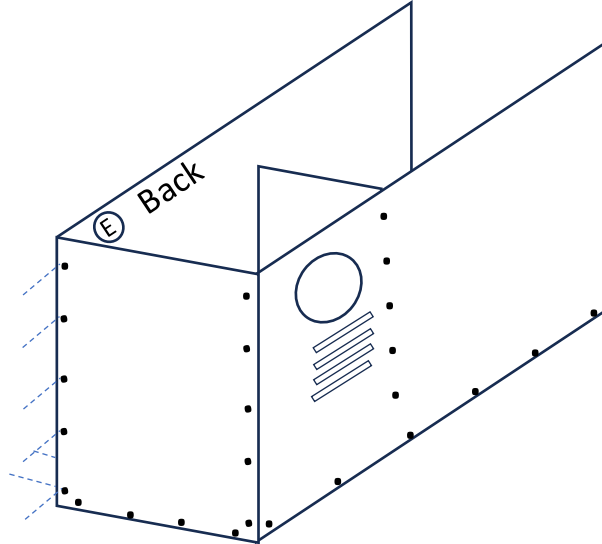
### Assembly Step 3

- Secure left side ④ to bottom and front through starter holes using 1 $\frac{3}{4}$ " drywall screws



### Assembly Step 4

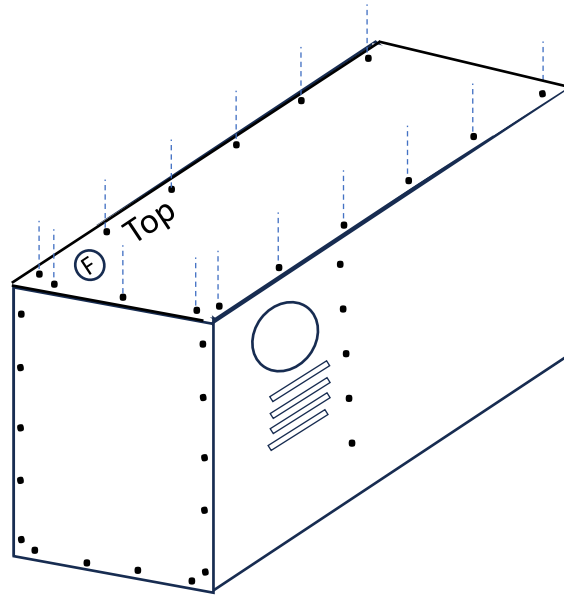
- Secure back ⑤ to bottom through starter holes using 1 $\frac{3}{4}$ " drywall screws
- Secure left side to back through starter holes using 1 $\frac{3}{4}$ " drywall screws



## Step 5 Assembly

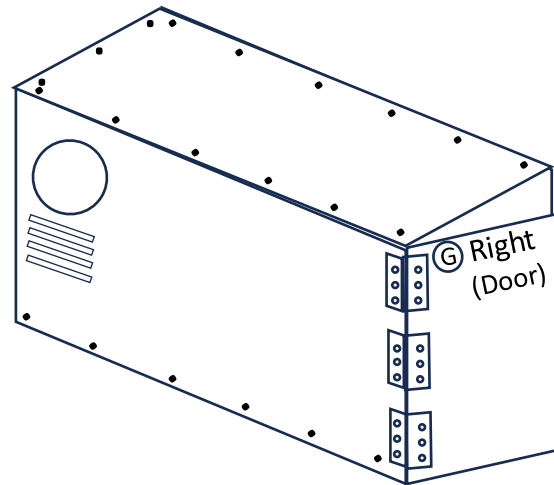
### Assembly Step 5

- Secure top ⑤ to box through starter holes using 1 $\frac{3}{4}$ " drywall screws



### Assembly Step 6

- Attach right side ⑥ as the door using hinges
- Attach door hook to door and back of box



## Step 6 Mounting

- Mount to 6" x 6" post so that the post is at least 3' in the ground and the box is between 10 to 12 feet off the ground
- The easiest way to mount is to dig the hole, mount the box to the post, then erect the post

